

AURORALIGHT

PROJECT: _____

SKU #: _____

TYPE: _____

METRO

IGR220103

The Metro; a fixed-aim, in-grade luminaire, is among the newest efforts from Auroralight. It represents a new class of lighting tool that features our robust and popular LM11 Copper Core® LED module.

- Thermally Integrated® w/ Copper Core Technology®
- Patented optic U.S. 10,655,799
- IC Rated for Interior, Exterior and Wet Location Use
- Ideal for walkways, pathways and architecture



CONFIGURATOR:

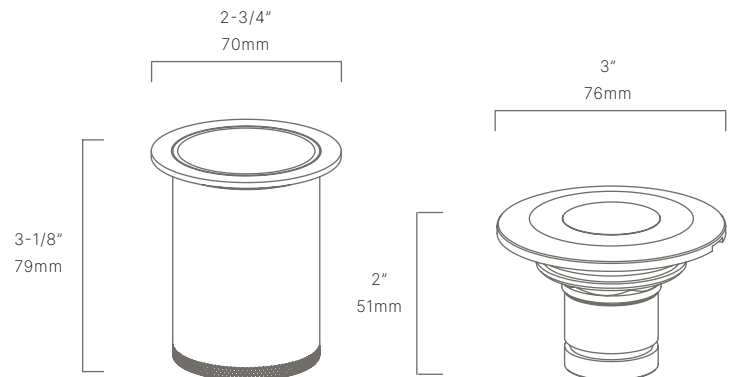
| | | |
|--|---|--|
| IGR220103 | LED | FINISH |
| | <input type="text"/> | <input type="text"/> |
| () = Most common configuration | (2704) 2700K 4W (3004) 3000K 4W | (NAT) Natural Brass (BLP) Bronze Living Patina (BLPX) Extra Dark BLP (NI) Nickel PVD |

AVAILABLE FINISHES:



| | |
|--------------------|------------------------------------|
| FIXTURE DIMENSIONS | D3" x H2" |
| LIGHT SOURCE | Integrated LED |
| COLOR TEMPERATURES | 2700K, 3000K |
| WATTAGES | 4W |
| CRI (RA) | 80 CRI |
| VOLTAGE | 12V |
| DELIVERED LUMENS | 300lm (3000K) |
| DIMMABLE | Yes, Dim to <10% via Transformer |
| DRIVER | Yes, 12V Integral Constant Current |
| TRANSFORMER | No, 12V AC/DC Transformer Required |
| MOUNT | Included Copper Can & J-Box |
| ACCESSORIES | Yes, Included Hex Baffle |
| OPTICS | Yes, Included 15°, 25°, 40° & 60° |
| FINISH | Included Natural Brass |
| MATERIAL | Brass & Copper |
| WIRE LENGTH | 24" |
| LOCATION | Interior & Exterior Wet |
| CERTIFICATIONS | UL, IP66, IP67, IC, Drive Over |

*For complete warranty terms, please visit: www.auroralight.com/warranty/



P. 760.931.2910

O. 2742 Loker Ave. W Carlsbad CA 92010

W. www.auroralight.com

MADE IN USA
WITH DOMESTIC & IMPORTED MATERIALS



AURORALIGHT

PROJECT:

SKU #:

TYPE:

P. 760.931.2910

O. 2742 Loker Ave. W Carlsbad CA 92010

W. www.auroralight.com

MADE IN USA
WITH DOMESTIC & IMPORTED MATERIALS

